



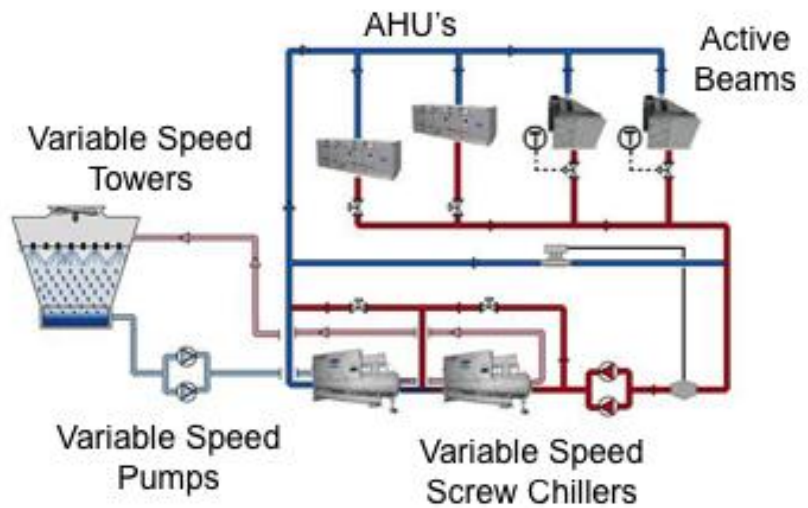
FOR IMMEDIATE RELEASE

Contact: Jeremy Riffle
Carrier
(317) 240-5344
jeremy.riffle@carrier.utc.com

Carrier® AdvanTE³CSM Optimized Central Plant Solution Reduces Cooling Energy Consumption up to 50 Percent

SYRACUSE, N.Y., Jan. 28, 2013 — Carrier's AdvanTE³C Optimized Central Plant

solution brings energy saving district cooling design to individual buildings with a unique combination of controls and equipment solutions that can save up to 50 percent cooling energy, up to 45 percent heating energy with optional heat



recovery chiller, or up to 75 percent cooling energy and 80 percent interior fan energy with optional heat recovery and active chilled beams compared to a ASHRAE 90.1-2007 Appendix



G baseline design. The AdvanTE³C Solutions Center's group of global Experts in Efficiency and Environment expands Carrier's broad range of green building capabilities by supporting customers around the world in developing

strategic, energy efficient and custom-engineered building solutions. Carrier, the world's leader in high technology heating, air-conditioning and refrigeration solutions, is a part of UTC Climate, Controls & Security, a unit of United Technologies Corp. (NYSE: UTX).



The AdvanTE³C Optimized Central Plant solution leverages synergies in heating, cooling and air distribution designs with system-based controls, coordinating variable speed motors on chiller compressors, tower fans and pumps, and moving the frontier for full building heating, ventilating and air-conditioning (HVAC) efficiency 15 to 20 percent beyond today's all-variable speed systems. AdvanTE³C Optimized Central Plant solutions are available in a wide operating range with capacities from 550 to 2200 tons as well as offered in N+1 redundancy and with heat recovery options. Water-cooled chillers offer efficient, surge-free operation with full load chiller system efficiencies as low as 0.500 kW per ton and part load (NPLV) chiller system efficiencies as low as 0.275 kW per ton.

“Our team in the AdvanTE³C Solutions Centers builds on Carrier's legacy of customer-driven innovation and expertise to support energy efficient and sustainable building and system simulation,” stated Greg Alcorn, vice president, commercial sales and marketing, Carrier. “Buildings have changed, but air-conditioning specifications and equipment have basically remained the same. Carrier is moving from an equipment-based approach to a customized, system-based approach to offer customized solutions that optimize energy savings for customers.”

The AdvanTE³C Solutions Center's group of global Experts in Efficiency and Environment expands Carrier's broad range of green building capabilities by supporting customers around the world in developing strategic, energy efficient and custom-engineered building solutions.

To learn more about Carrier's AdvanTE³C Solutions Center, go to Carrier.com.

###



ABOUT CARRIER

Carrier is the world's leader in high technology heating, air-conditioning and refrigeration solutions. Carrier experts provide sustainable solutions, integrating energy-efficient products, building controls, and energy services for residential, commercial, retail, transport and foodservice customers. Founded by the inventor of modern air conditioning, Carrier improves the world around us through engineered innovation and environmental stewardship. Carrier is a part of UTC Climate, Controls & Security, a unit of United Technologies Corp., a leading provider to the aerospace and building systems industries worldwide. Visit www.carrier.com for more information.